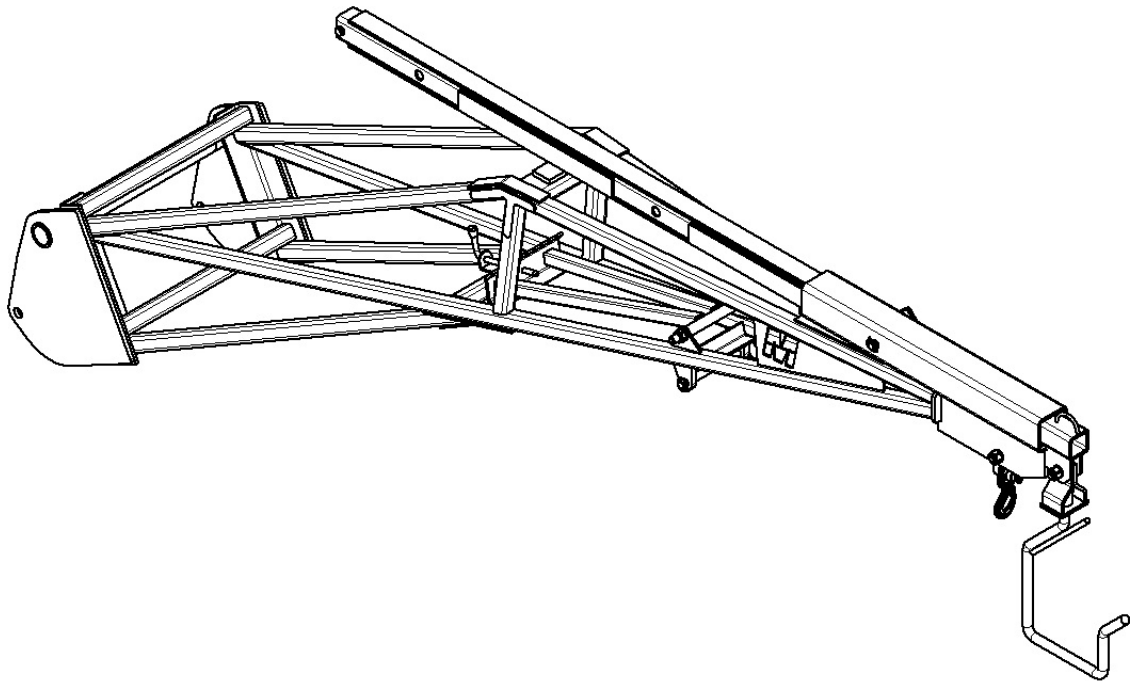




OPERATING INSTRUCTIONS:-  
ATTACHMENT:- ROOF TRUSS HANDLER



WHITES MATERIAL HANDLING Ltd.  
10-12 DIXON ROAD,  
BRISLINGTON TRADING ESTATE,  
BRISTOL.  
BS4 5QW.  
UK.  
TEL +44 (0) 117 972 0006  
[WWW.WHITESMH.CO.UK](http://WWW.WHITESMH.CO.UK)

DOCUMENT PART NUMBER:- WHCE0109

## FORWARD

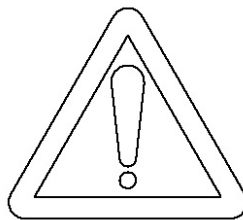
In these Safety and Operating Instructions the following words are defined as follows:-

'ATTACHMENT':- A bucket or attachment which is classed as a machine under the CE machinery Directive.

'RTH':- The Roof Truss Handler

Attachments covered under these Safety and Operating Instructions are 4 in 1-multipurpose buckets, high tip buckets, side tip buckets, pallet fork attachments, broom buckets, angled brooms, fork and grapples, industrial grapples, and all other attachments which are classed as a 'machine' under the CE Machinery Directive.

'MACHINE' or 'HOST MACHINE' :- A wheeled or tracked loading machine (skid steer, backhoe loader, articulated loader) which connects to and powers the attachment.



INCORRECT USE OF THIS ATTACHMENT OR FAILURE TO FOLLOW INSTRUCTIONS CONCERNING SAFETY CAN LEAD TO SERIOUS INJURY OR DEATH.

BEFORE USING THIS ATTACHMENT:-

1. READ THIS MANUAL CAREFULLY.
2. MAKE SURE THAT THIS ATTACHMENT IS SUITABLE FOR USE ON THE HOST MACHINE.
3. CLEAR THE AREA OF OTHER PERSONS.
4. LEARN AND PRACTICE SAFE USE OF THIS ATTACHMENT AND HOST MACHINE IN A CLEAR AREA BEFORE YOU OPERATE THIS MACHINE ON A JOB SITE.
5. IT IS YOUR RESPONSIBILITY TO OBSERVE PERTINENT LAWS AND REGULATIONS IN RESPECT OF THE OPERATION OF THIS ATTACHMENT AND THE HOST MACHINE.

### OFFICIAL JUSTIFYING DOCUMENTS

Attachment <input type="text"/>	Serial Number <input type="text"/>
Part Number <input type="text"/>	Date of Manufacture <input type="text"/>
S.W.L. <input type="text"/> Kg (pallet fork attachment)	Max Hyd Pressure <input type="text"/> Bar
MASS (WEIGHT) <input type="text"/> Kg	Capacity <input type="text"/> m <sup>3</sup>
To fit Machine <input type="text"/>	Model <input type="text"/>
Manufacturer / Supplier	<b>WHITES</b> MATERIAL HANDLING <b>CE</b>
Bristol, BS4 5QW, U.K. Tel. 44+ (0) 117 972 0006 Fax. 44+ (0)117 972 3296	

ATTACHMENT IDENTIFICATION PLATE:- WHCESTD

# MORGAN LIFTING SERVICES LTD

Supply, Service, Repair & Testing all Lifting Equipment  
**Record of Test, Test & Examination or Test & Thorough  
Examination of Lifting Plant & Equipment**  
Certificate No. MLG 210812/1

Name & Address of Owner of Equipment	Equipment Location
WHITES MATERIAL HANDLING 10/12 DIXON ROAD BRISLINGTON TRADING ESTATE BRISTOL BS4 5QW	WHITES MATERIAL HANDLING 10/12 DIXON ROAD BRISLINGTON TRADING ESTATE BRISTOL BS4 5QW

<b>Description of Equipment</b> ROOF TRUSS HANDLER. DRAWING NUMBER RT062832
--

<b>Identification Mark</b> MLG 210812/1
--

<b>Safe Working Load or Loads and (where relevant) corresponding load, job lengths and counterweights</b> 600 KGS @ 4 METRE LENGTH 300KGS @ 5 METRE LENGTH 100KGS @ 6 METRE LENGTH
---

<b>Details of the test and examination or tests and thorough examination carried out</b> PROOF LOAD CARRIED OUT AT MIN TO MAX-RADIUS TO ROOF TRUSS HANDLER. 100% OVERLOAD TEST WAS CARRIED OUT, <b>In compliance with machinery directive (Safety) 1992 LOLER 1998</b>
---

<b>Date or dates of completion:</b> 21/8/12
--

Declaration :- I hereby declare that the equipment described in this record was tested, tested and examined or tested and thoroughly examined in accordance with the appropriate provisions and is found to be free from any defects likely to affect safety on :-  
(Date) 21/8/12.....and the above particulars are correct.

<b>Signed</b> SMORGAN	<b>Position:</b> Tester & Examiner
-----------------------	------------------------------------

Name of person making the above declaration  
**STEVE MORGAN**

**Morgan Lifting Services Ltd Beech House South Road Timsbury Nr Bath BA2 0ER**  
**Tel: 01761 470969 Mobile: 07860 787315 Fax: 01761 470969 E-mail:**  
**morganliftinggear@hotmail.com**

ATTACHMENT LIFTING CERTIFICATE, SAMPLE

## **LOADER MOUNTED ATTACHMENTS**

### **1. SAFETY**

### **2. OPERATING INSTRUCTIONS**

#### **1. SAFETY**

**GENERAL:** This attachment has been designed and built according to the state of the art and meets current safety regulations in force. However, this does not completely exclude the risk of accidents. It is therefore essential to follow basic safety rules and precautions.

The strict execution of the instructions provided in this manual will prevent accidents during attachment use and maintenance operations.

These instructions will only be effective if the attachment receives proper maintenance. Any defects or anomalies must be repaired immediately.

Only use this attachment for the purpose for which it was designed.

**BEFORE YOU OPERATE THE ATTACHMENT:** Please be aware that this attachment is designed to be used in conjunction with the host machine. It is essential, therefore, to be fully conversant with the correct operating procedures and safety instructions of the machine. Familiarise yourself with the attachment, and the loads to be carried.

Always follow the machine manufacturer's instructions in relation to connection, disconnection and operation of attachments.

Be prepared for emergencies. Always carry a first aid kit and a good fire extinguisher with you and know how to use them.

#### **1.3 OPERATING THE ATTACHMENT:**

##### ***! NEVER GET ON OR OFF A MOVING MACHINE***

Keep all tread plates clean and free from grease, mud and (in winter), snow and ice.

Get to know the machines possibilities and the working space required.

Always wear the correct protective clothing relevant to the working conditions.

Dust, fog, smoke etc. can reduce visibility and cause an accident. Operate with extreme caution in these conditions.

Before starting work, check that the attachment is properly connected to the host machine and that all the functions operate correctly. See the machine manufacturer's manual for the correct connecting procedure.

Never carry any person on the attachment.

Make sure there is nobody standing near the attachment.

Do not allow anyone to stand in the 'Danger Zone' (operating area).

Do not jump off the attachment - you can get hurt.

Keep away from dangerous areas, such as ditches, over-hangs, cliffs, etc. Look for hazards.

Use all the controls gradually so that the attachment works smoothly.

When operating or servicing an attachment, wear suitable protective clothing.

#### 1.4 MAINTENANCE:

##### **! BEFORE CARRYING OUT ANY SERVICE WORK ON THE ATTACHMENT:**

Park the host machine on a hard level surface.  
Lower the attachment to the ground.  
Apply the parking brake and shut down the engine.  
Block the machine to prevent any movement.

When servicing the attachment, place a 'DO NOT START UP' label on the control panel of the machine.

Modifying the attachment without prior permission can cause serious injury. Do not undertake any modification without prior authorisation from White's or their Approved Agent.

Always wear eye protection when using a tool that may project metal particles. Use a hammer with a soft face, such as copper, for installing pins.

Pressurised hydraulic fluid or grease, which penetrates the skin can cause serious injury. Take the necessary safety precautions

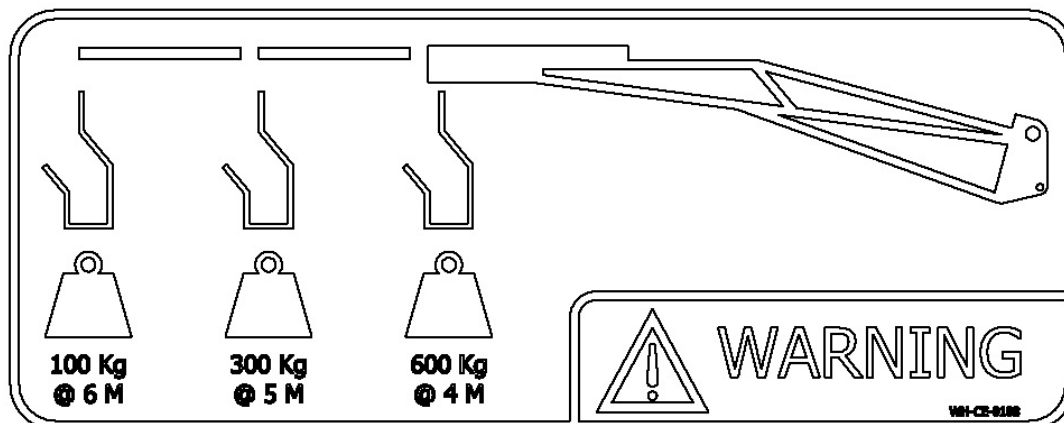
(safety clothing and protection for the face and hands) to avoid such risks. Also, before using these products, read the manufacturer's instructions for their use. If hydraulic fluid penetrates the skin, call a doctor immediately.

**FAILURE DURING OPERATION:** If an attachment failure occurs during operation, disconnect the attachment from the host machine and take measures against it's use until a satisfactory repair has been carried out.

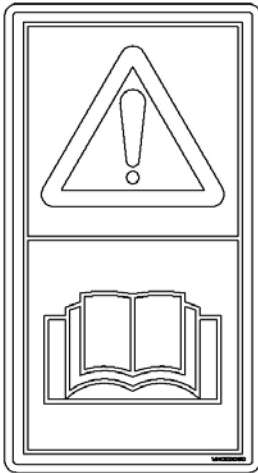
#### 1.6 SAFETY DECALS:

**! An illegible or missing decal may have serious consequences.**

**Replace safety decals that are missing or damaged.**



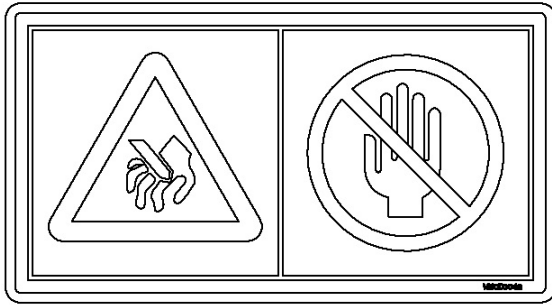
ATTACHMENT WARNING DECAL:- WHCE0108



READ OPERATORS MANUAL:-  
WHCE0050

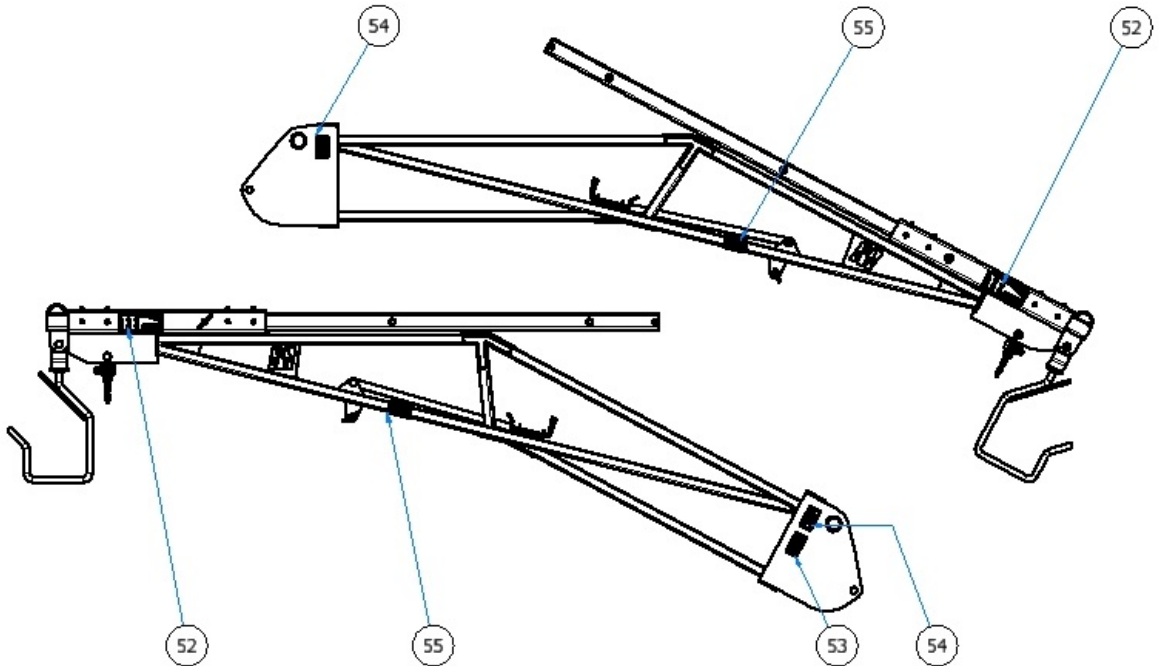


CRUSHING OF FEET:-  
WHCE0054



CRUSHING OF HANDS:- WHCE0062

ITEM	QTY	PART NUMBER	DESCRIPTION
51	1	WHCE0109	INSTRUCTION MANUAL - ROOF TRUSS JIB
52	2	WHCE0108	DECAL - ROOF TRUSS HANDLER
53	1	WHCE0050	READ OPERATORS MANUAL
54	2	WHCE0054	CRUSHING OF FEET
55	2	WHCE0062	CRUSHING OF HANDS



### LIFT CAPACITY:-

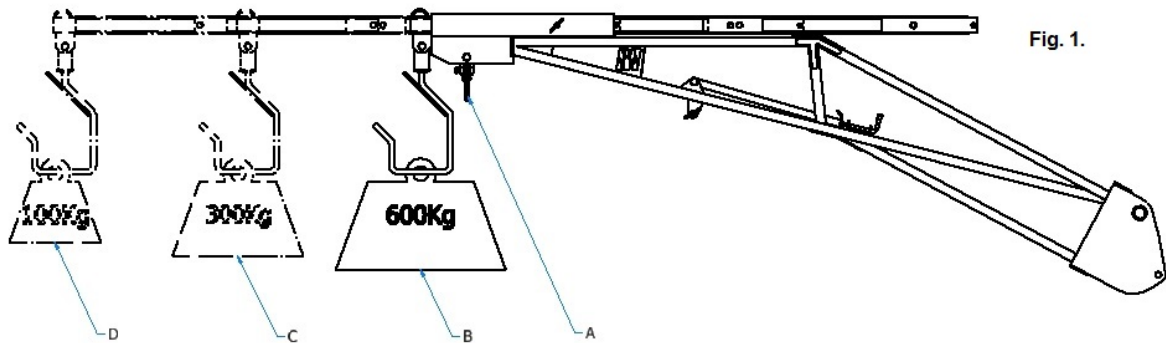
The RTH has 4 Lifting positions (Fig 1.)

Position A, 600 Kg

Position B, 600 Kg

Position C, 300 Kg (1M extension)

Position D, 100 Kg (2M extension)



## 2. OPERATING INSTRUCTIONS

### 2.1 INSPECTION

#### UPON DELIVERY:-

Check for transit damage.

#### DAILY INSPECTION:-

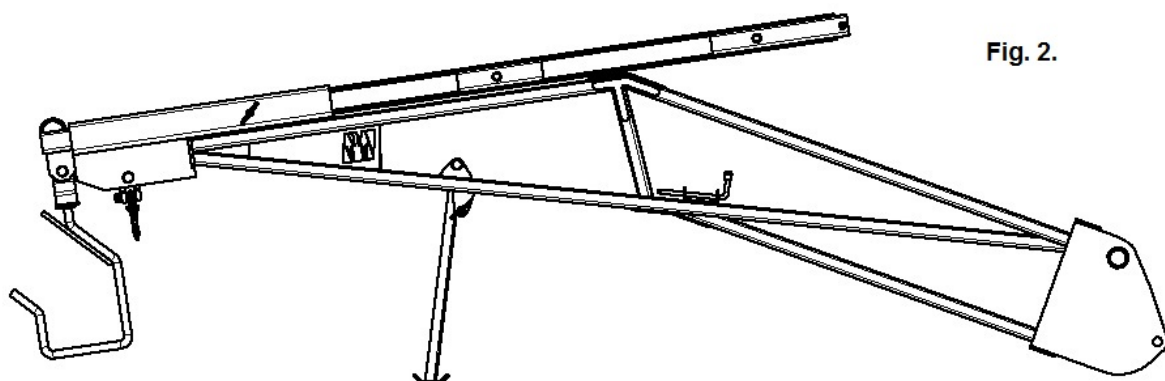
Check for insecure nuts, bolts & pins.

Check for missing parts.

Check for excessive wear and replace with genuine spare parts.

### 2.2. STORAGE

Always store the RTH with the parking leg down, See 2.8 Fig, Ensure parking leg locking pin C is in position.



### 2.3. APPLICATION

The RTH is an attachment designed to aid the safe transportation and placement of roof truss'.

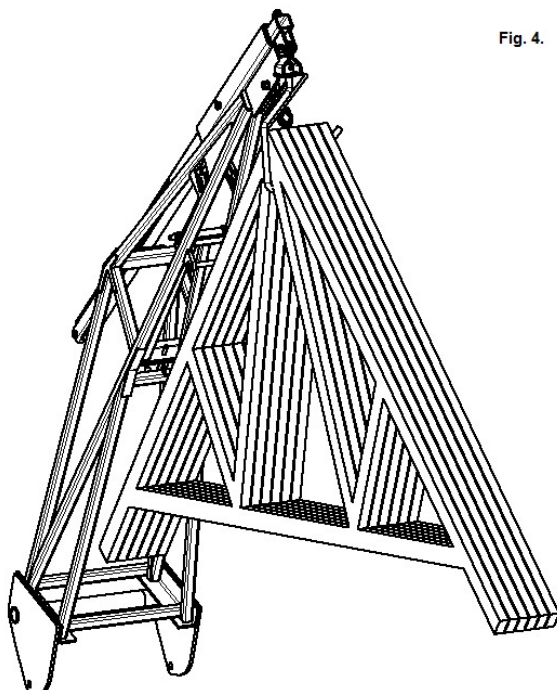
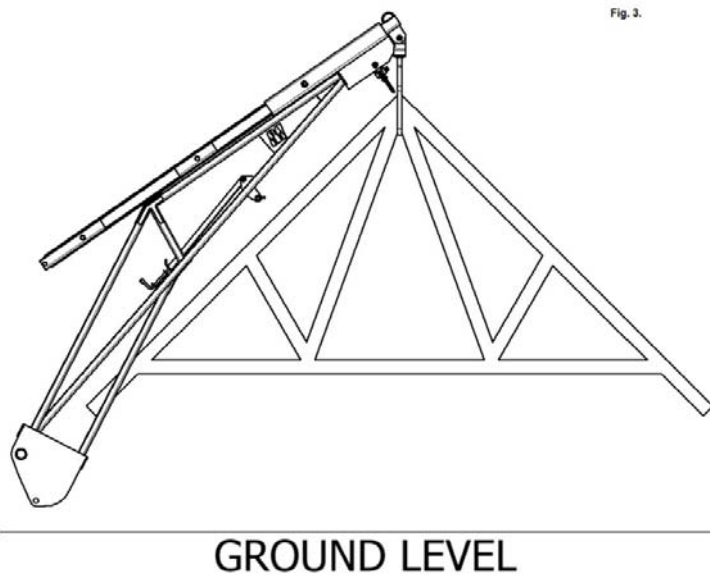
### 2.4. CARRYING

The truss' should be attached to the handler hook by means of suitable chains or slings. Carry only with the hook in position B or by the swivel hook in position A, (See Fig.1)

The handler should be fully tipped back and raised sufficiently to be as low as possible, but to clear the ground. The truss' can then be carried in line with the direction of the handler (see Fig.3.) or at 90' to that direction.

Transporting the truss' in this manner will improve stability & increase visibility as the boom is lowered.

When carrying the Truss', with them in line, (see Fig.3.) they can be positioned in between the frame to stop them rotating (See Fig.4)





## 2.5. UNLOADING

Ensure the area for unloading is safe and free from non-essential personnel  
Rotate the jib forward until the load rests on the floor.  
Steady the load, and remove from the hook.

## 2.6. PLACING OF TRUSS'

Extend the jib to the desired position, noting how much extension is required with the load being carried.

Fasten the load with suitable chains or slings.

Position the machine close to the building.

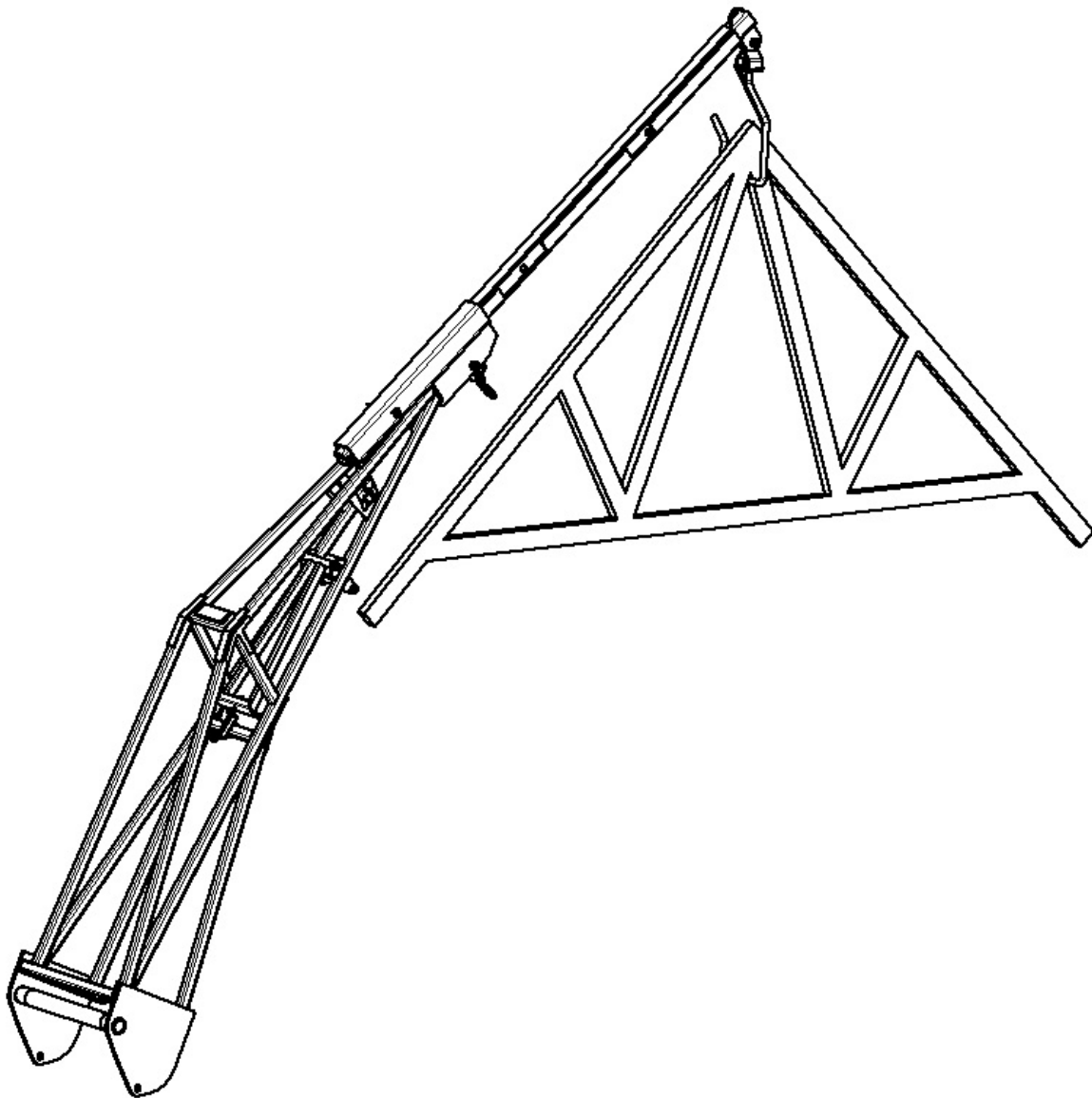
Check with the machines hand book to ensure correct procedure for raising the boom and lifting loads.

Raise the boom, so the truss' are at the desired level.

Ensure the area for unloading is safe and free from non-essential personnel.

Rotate the jib forward until the load rests on a secure site.

Steady the load, and remove from the hook.



## 2.7. INCREASING THE EXTENSION OF THE JIB

With the attachment on the host machine, and on level ground, lower the attachment so the jib, A (Fig. 5) is level with the ground.

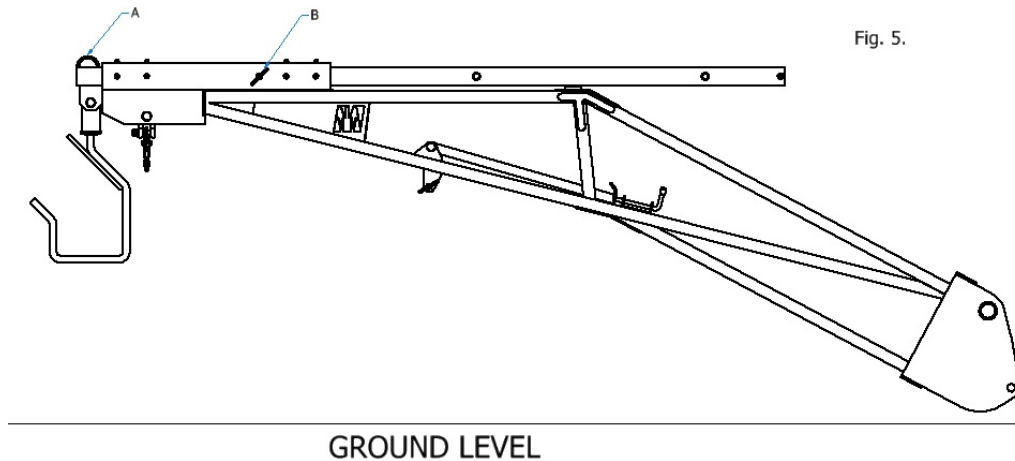
Ensure the machine is secure.

Remove fastening for extension B (Fig. 5), and keep safe.

Hold handle A (Fig. 5) and pull extension out to the desired length, 1M or 2M.

Secure extension in place with fastening B.

Do NOT operate with the extension fastening incorrectly fitted.



## 2.8. USING THE STORAGE LEG.

Lower the host machine arm so the RTH is near the ground, See Fig. 6.

Remove Leg securing pin C, and keep safe.

Pull back sprung loaded Leg holding peg B, and move the leg to towards the floor.

Ensure the leg securing pin C is inserted back into the frame, with the leg positioned as Fig 7.

The Leg should be securely held between the frame and the Pin, C

Lower the host machine arm until the RTH is sat on the floor with the Leg.

